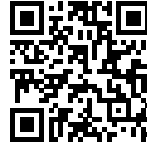


Sink Giotto

Kitchen Sinks

Code: 1333 000



DETAILS

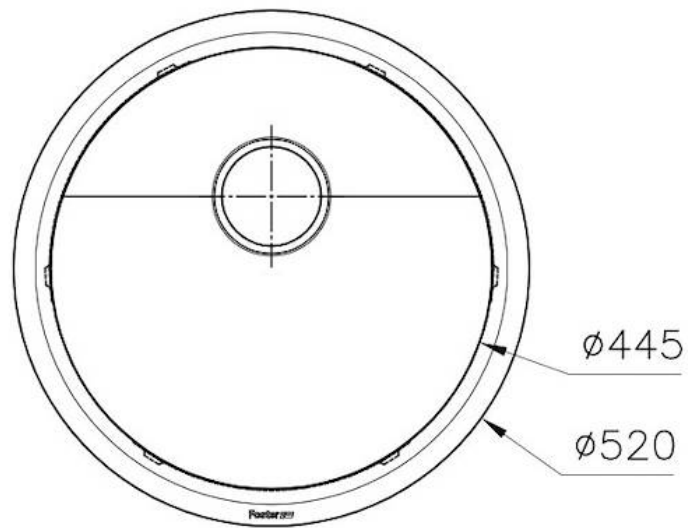
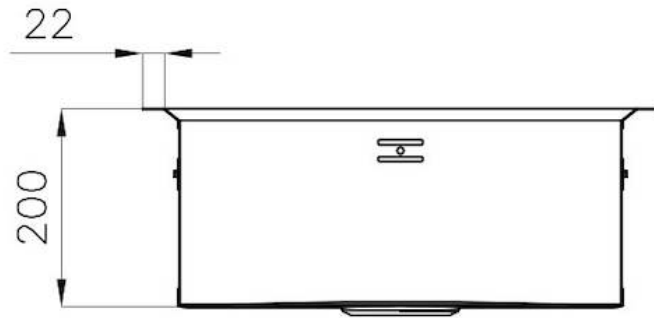
| | |
|------------------------|---|
| Edge/Installation Type | Flush-mount Top-mount |
| Finish | Foster brushed |
| Material | AISI 304 stainless steel |
| Texture | Brushed in line |
| Base | 60 cm |
| Dimensions | Ø 520 mm |
| Standard fittings | Fixing hooks, gasket, drain, overflow and siphon, boxed packing |
| Mixer holes | No standard holes |
| Built-in hole | View technical data sheet |

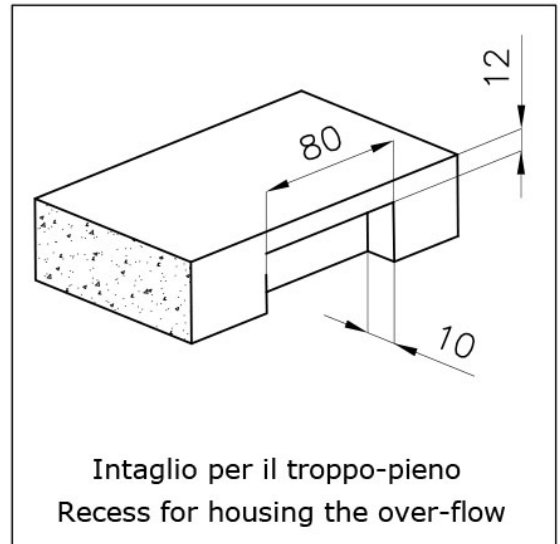
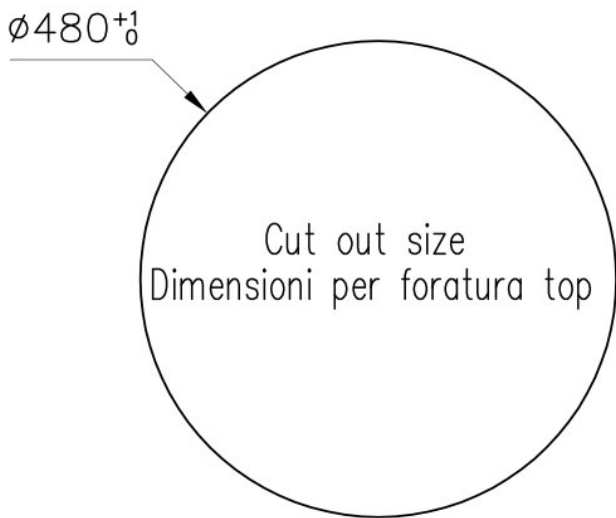
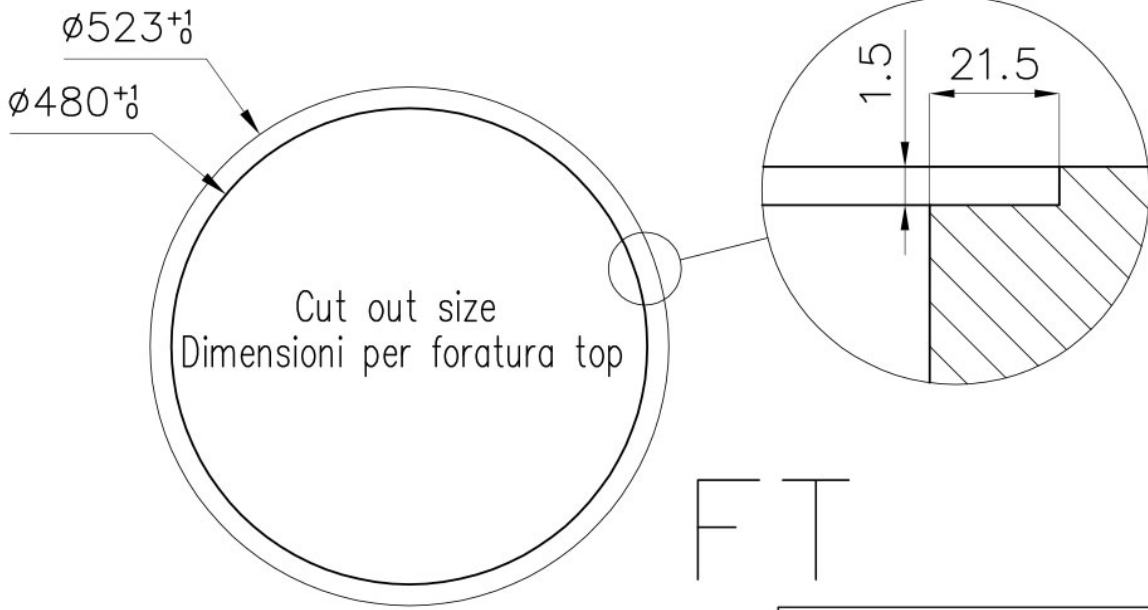
| | |
|-----------------|------------------|
| Drainer | No |
| Width | 52 cm |
| Bowl dimension | Ø 445mm |
| Number of bowls | 1 bowl |
| Waste fitting | Drain SPACE 3,5" |

FEATURES

| | |
|---------------------|---|
| Deep bowls | This bowls reach an important depth, over 20 cm, thanks to the advanced production technology, that can be offer great capieny and practicity in all the washing operations. |
| High thickness | 1mm thick steel. A significant thickness, which guarantees the maximum sturdiness and durability. |
| Save space system | Drain and siphon are designed to leave as much space as possible in the under-sink area, more and more useful today for theseparate waste collection systems. |
| Space waste fitting | The elegant SPACE steel cap closes the drain and leaves no visible residues collected in the basket below. Space also has a small footprint and allows the optimal use of the under-sink compartment. |

TECHNICAL DATA





GALLERY



OPTIONAL ACCESSORIES



Stainless steel Plate rack
8100 051



Kit Giotto
8100 152